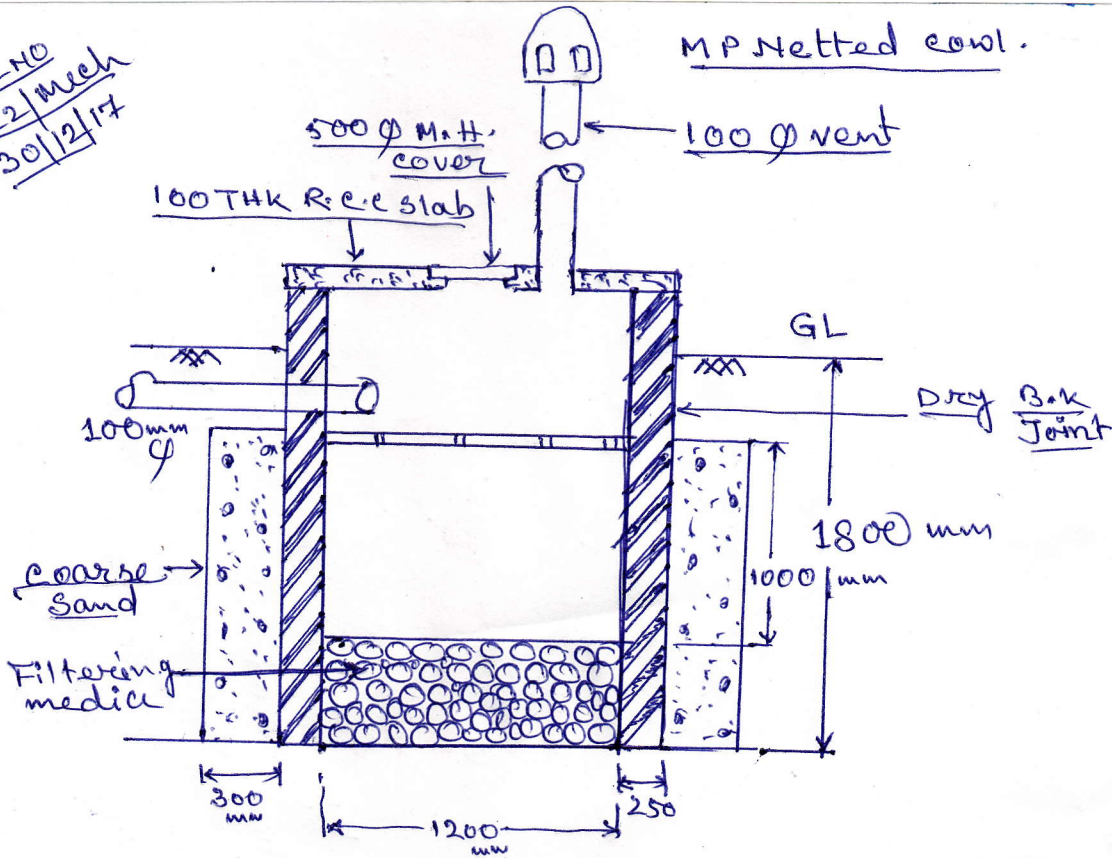


SLNO
22/Meek
30/12/17



Rough hand sketch of Round soak pit.
for Boiler septic tank.

A. Prasad
30/12/17